

Delivering leading edge, innovative power solutions for more than **30** years....

Model:GTM-43001130505

October 3, 2022

GTM-43001130505

Information

Model Number	GTM-43001130505
Description	GTM-43001130505, ICT / ITE / Medical Power Supply, Wall Plug-in, Regulated Switchmode AC-DC Power Supply AC Adaptor, , Input Rating: 100-240V~, 50-60 Hz, , Output Rating: 18 Watts, Power rating with convection cooling (W) , 4-48V in 0.1V increments, Approvals:

Model Picture



Agency Documents

CE EC-Declaration	https://www.globtek.com/pdf/ec_declaration/a003a00000NKQAeEAP
RoHS/RoHS2 Declaration	https://www.globtek.com/pdf/rohs_cert/a003a00000NKQAeEAP
REACH Declaration	https://www.globtek.com/pdf/iso_certificates/REACH.pdf
Conflict Minerals Declaration	https://www.globtek.com/pdf/conflict-minerals.pdf

Delivering leading edge, innovative power solutions for more than **30** years....

Model:GTM-43001130505

October 3, 2022

MODEL PARAMETERS

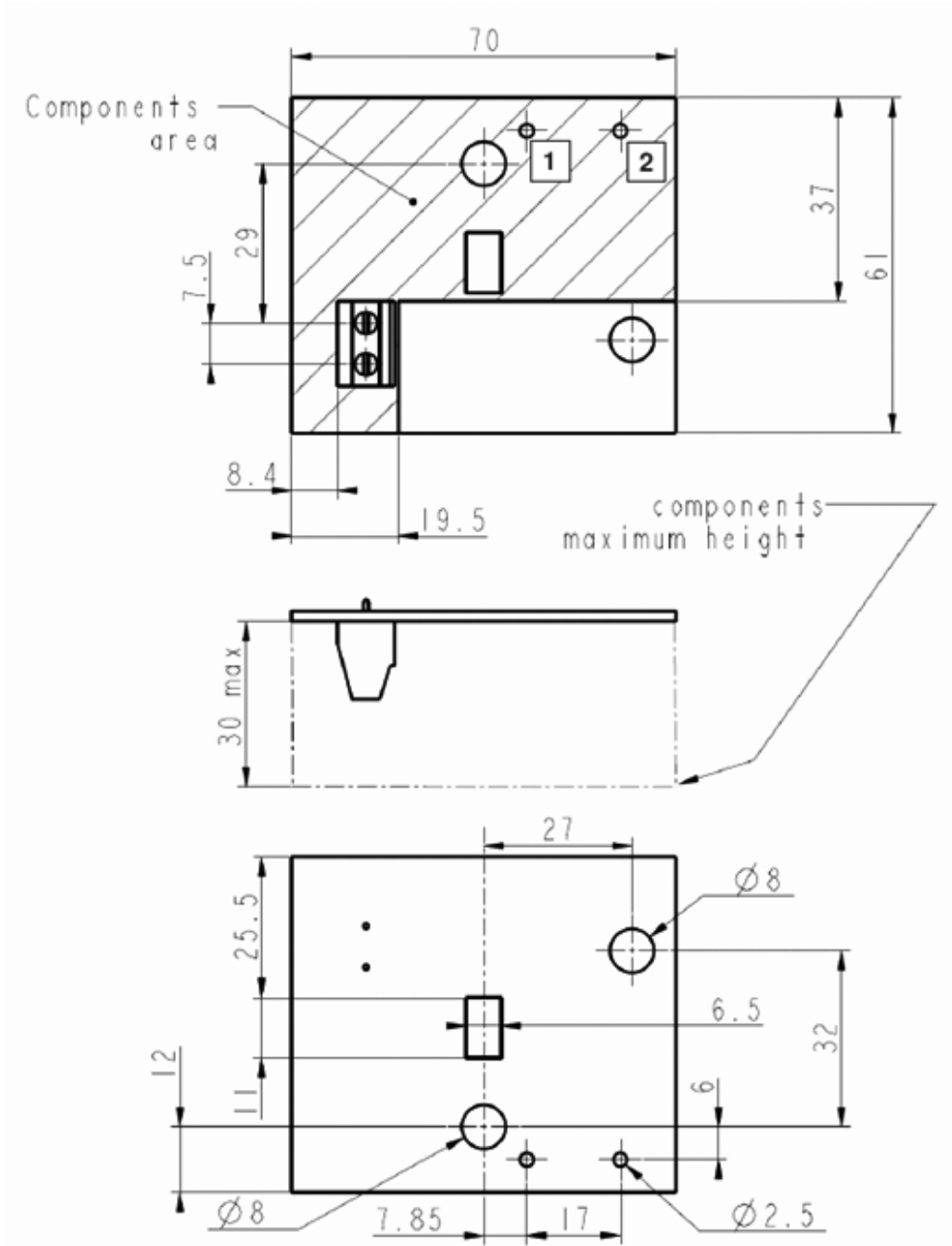
Type	Wall Plug-in
Technology	Regulated Switchmode AC-DC Power Supply AC Adaptor
Category	ICT / ITE / Medical Power Supply
Input Voltage	100-240V~, 50-60 Hz
I/P Amps (A)	0.6 A
Wattage (W)	18.0
Vout Range (V)	4-48
Efficiency Level	USA DOE Level VI / Eco-design Directive 2009/125/EC, (EU) 2019/1782
Ingress Protection	NA
Size (mm)	70*61*30

Delivering leading edge, innovative power solutions for more than 30 years....

Model:GTM-43001130505

October 3, 2022

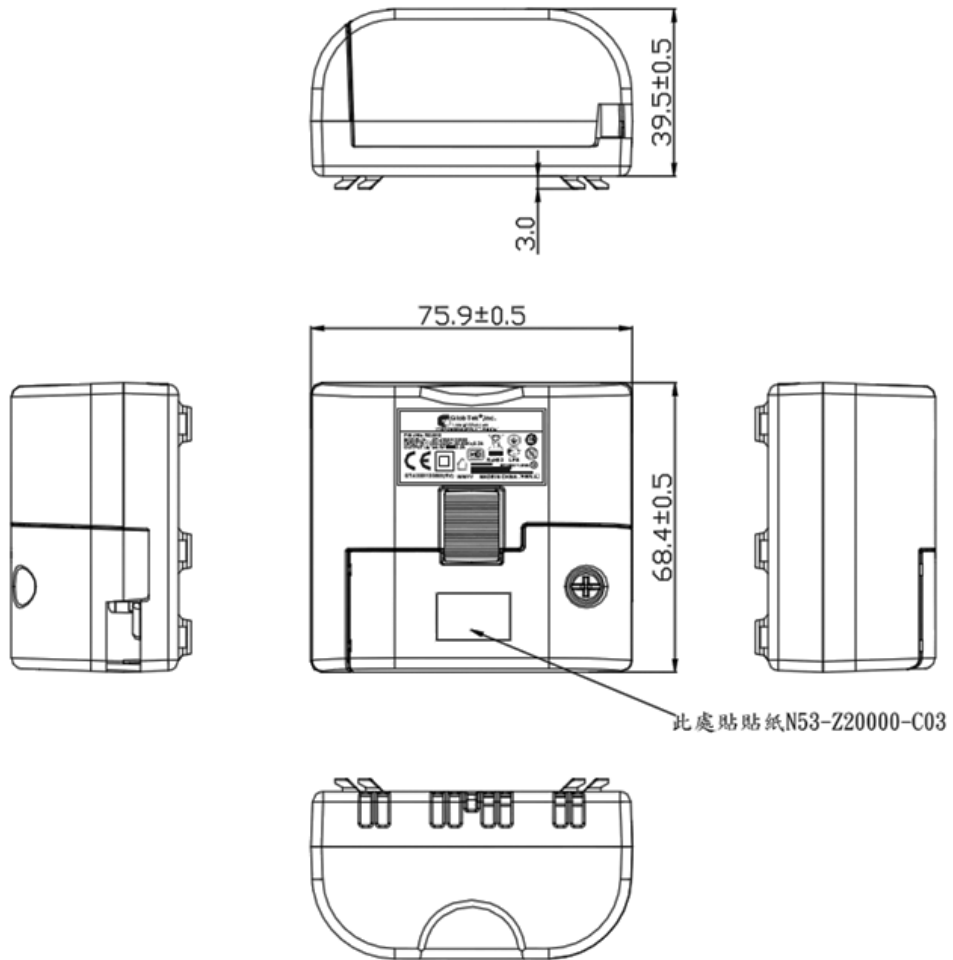
ENCLOSURE



Delivering leading edge, innovative power solutions for more than **30** years....

Model:GTM-43001130505

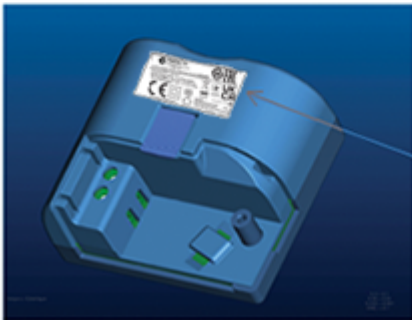
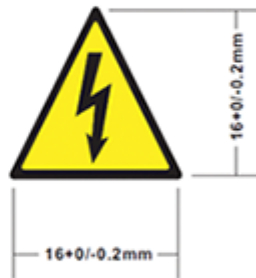
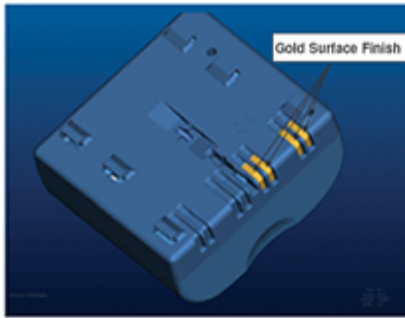
October 3, 2022



Delivering leading edge, innovative power solutions for more than **30** years....

Model:GTM-43001130505

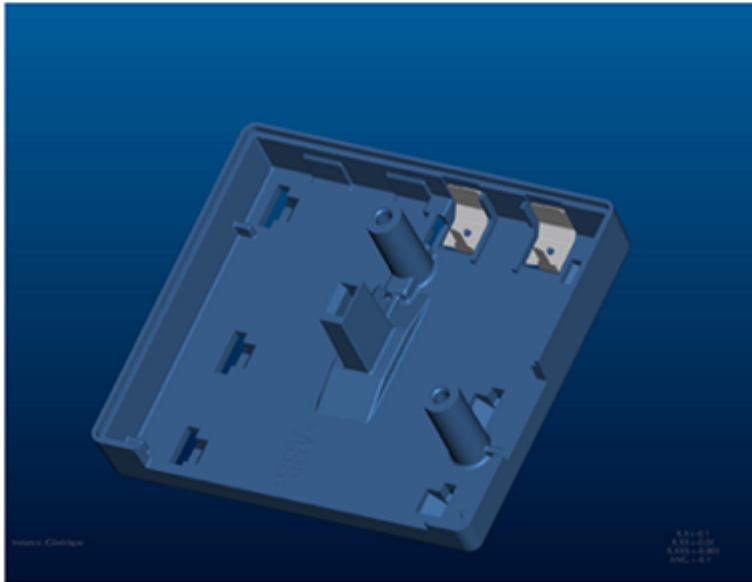
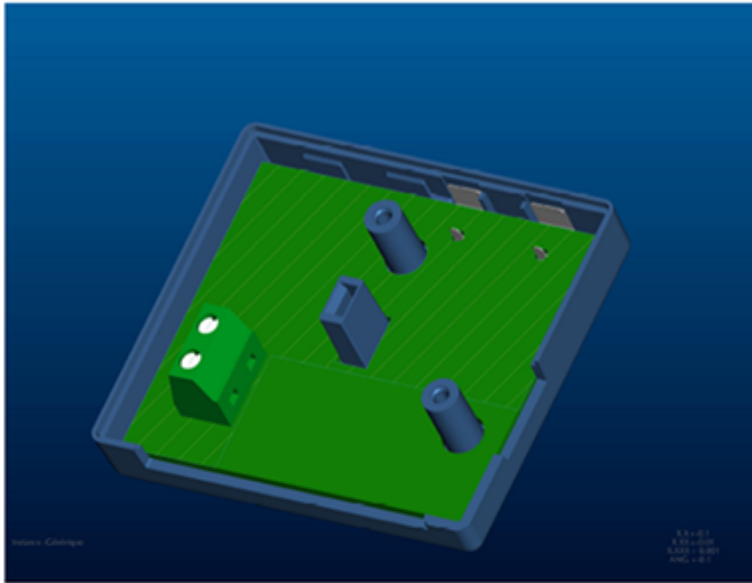
October 3, 2022



Delivering leading edge, innovative power solutions for more than **30** years....

Model:GTM-43001130505

October 3, 2022



Delivering leading edge, innovative power solutions for more than **30** years....

Model:GTM-43001130505

October 3, 2022

Comments:

The square opening is fixed.

The position of the 230VAC block terminal can be moved off some millimeters.

2 positions PCB block terminal / screw cage termination / 1,5mm².

Positions are free of allocation.

• **Output contacts :**

material : Copper alloy (phosphor bronze) – thickness 0.2mm

underplating : Ni 2 to 4µm

surface finish : selective gold 0.4 µm mini

held pressure per contact : 10N mini

• **Output pins allocation :**

	Pin number
1	-VDC out
2	+VDC out

Delivering leading edge, innovative power solutions for more than **30** years....

Model:GTM-43001130505

October 3, 2022

RATING TABLE

Model Number	Voltage	Amps(A)	Watts(W)	RFQ
GTM-43001130505	4.5 V	2.2	9.90	RFQ

Delivering leading edge, innovative power solutions for more than 30 years....

Model:GTM-43001130505

October 3, 2022

SPECIFICATIONS

Input

Input Voltage:	Specified: 90-264VAC, Nameplate: 100-240VAC 100% rated load current for 90-264VAC 85% rated load current for 85-264VAC 100% rated load current for 110-370VDC
Input Frequency:	Specified: 47-63Hz, Nameplate: 50-60Hz
No Load Input Power:	<75mW @ 230VAC (EU CoC Tier 2 compliant)
Inrush Current:	40A maximum, cold start @ 230VAC input
Efficiency:	DoE Level VI compliant, EU CoC Tier 2 compliant

Output

Turn-on Delay:	1 second max. @ nominal line and full load
Output Regulation	± 2% (measured at the output connector)
Line Regulation:	± 1% (measured at the output connector, full load)
Ripple:	1%
Transient Response:	5% max. deviation (with 40-70% load step), 1ms typ. recovery time
Hold-up Time:	100 ms / 230 VAC (typ)
Power On Indicator:	Green LED

Protections

Input Protection:	MOV transient suppressor, input line fusing
Over-Voltage Protection:	110-130% of nominal output voltage
Short-Circuit Protection:	Auto-restart
Over-Current Protection:	110-160% of rated output current (Current limit range is determined by normal output power rating, not derated power level)

Environmental

MTBF:	1,500,000 hours @ 25°C ambient, full load (Telcordia SR-332, Issue 3)
Operating Temperature:	-20°C to 55°C (full load) See derating table for output power capability at other temperatures. Extended low temperature range available as a custom option.
Storage Temperature:	-30°C to 80°C
Humidity:	0% to 95% relative humidity, non-condensing
Altitude:	5000m
Ingress protection:	NA

Delivering leading edge, innovative power solutions for more than 30 years....

Model:GTM-43001130505

October 3, 2022

Cooling:	Convection
RoHS:	Complies with EU 2011/65/EU amended by EU 2015/863 and China SJ/T 11363-2006

Safety

Dielectric Withstand Voltage:	4000VAC or 5656VDC from input to output 3000VAC or 4242VDC from input to earth (Class I models)
Touch Current:	Class I models: < 20uA Class II models: <75uA
Earth Leakage Current:	Class I models: <300uA Class II models: N/A
Isolation Options:	Floating output or Class I earthed output (desktop models)
Earth Continuity Test:	< 0.1 ohm between AC inlet earth pin and PCB termination point
Means of Protection (Primary-to-Secondary):	2 x MOPP
Compliant Standards:	See listing at the end of this document.

EMC

Applicable Standards:	Medical: EN60601-1-2, 4th edition Emissions: EN55032, EN61000-6-3, EN61000-6-4 Immunity: EN55024, EN61000-6-1, EN61000-6-2
Conducted Emissions:	Class B, FCC Part 15, Class B (with resistive load)
Radiated Emissions:	Class B, FCC Part 15, Class B (with resistive load)
Harmonic Current Voltage Distortion:	EN61000-3-2, Class A
Voltage Fluctuations/Flicker:	EN61000-3-3
Electrostatic Discharge (ESD) Immunity:	EN61000-4-2, 8KV contact discharge, 20KV air discharge
Radiated RF Immunity:	EN61000-4-3, 10V/m 80-1000MHz, 3V/m 1-2.7GHz, 80% 1KHz AM
EFT/Burst Immunity:	EN61000-4-4, 4KV/100kHz.
Line Surge Immunity:	EN61000-4-5, 2KV differential, 4KV common-mode
Conducted RF Immunity:	EN61000-4-6, 3VRMS, 80% 1KHz AM
Power Frequency Magnetic Field Immunity:	EN61000-4-8, 30A/m
Voltage Dip Immunity:	EN61000-4-11

Enclosure

Housing:	High impact plastic, 94V0 polycarbonate, non-vented
AC Input Mechanical Options:	Wall plug-in, changeable blades (Class II only) Desktop housing, extended housing: C6, C8, C14, or C18 IEC inlet (Class I or Class II)
Markings:	Label or laser printed

Special Options

Delivering leading edge, innovative power solutions for more than **30** years....

Model:GTM-43001130505

October 3, 2022

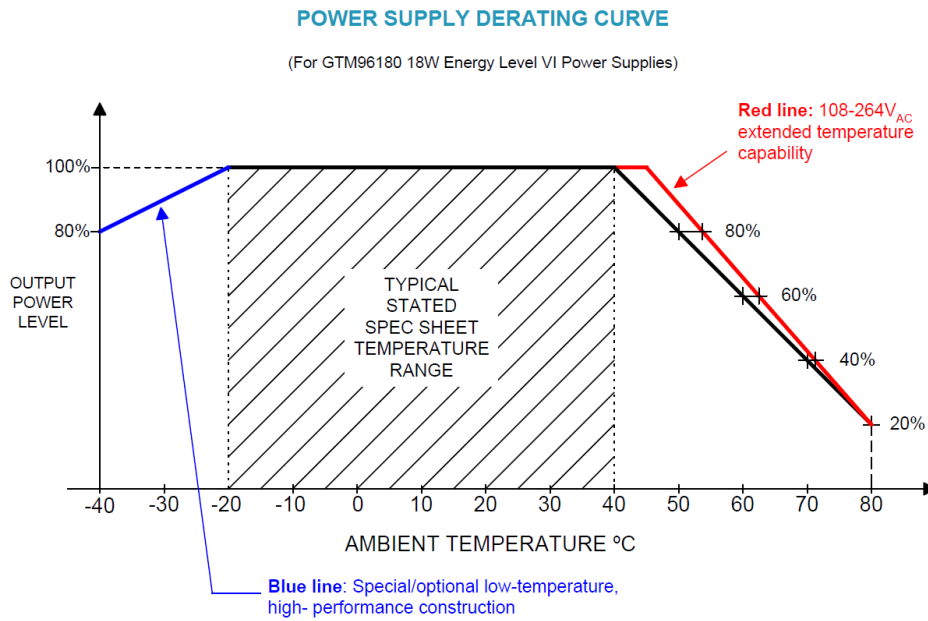
1. Removal of LED (optional)
 2. Custom cord-sets (custom cord and/or connector types). Note: 5VDC USB power supplies with Micro-B or Type-C connectors have a voltage regulation specification of $\pm 8\%$ (4.6V to 5.4V).
 3. Custom markings
 4. Short term output surge capability
 5. Reduced leakage current versions (10uA max) for Type-CF medical applications and/or for AC noise sensitive equipment. (15W or less, 5 to 24V output voltage range.)
 6. Tightened output voltage tolerance
 7. Reduced output voltage ripple
 8. Improved reliability PCB laminate with plated-through-holes for IPC610 Class 2 compliance
 9. Custom housing colors
 10. Quasi constant-current output for SLA (lead-acid) battery charging applications
-

Delivering leading edge, innovative power solutions for more than 30 years....

Model:GTM-43001130505

October 3, 2022

DERATING CURVE



Delivering leading edge, innovative power solutions for more than **30** years....

Model:GTM-43001130505

October 3, 2022

INPUT CONFIGURATION

Delivering leading edge, innovative power solutions for more than 30 years....

Model:GTM-43001130505

October 3, 2022

OUTPUT CONFIGURATION

Common output connector options:


 L Type (Coaxial
5.5x2.5mm plug)

 C Type (Coaxial
5.5x2.1mm plug)

 K Type (Coaxial
3.5x1.3mm plug)

 LL Type (5.5x2.5mm
Locking 760k type)

 CL Type (5.5x2.1mm
Locking S761k type)

 ML2 Type (Molex
housing 43025-0200)

 YL3 Type
(KPPX-3P)


YL4 Type (KPPX-4P)


 EJ1/2/3/4/5 (EIAJ
RC-5320A type
connectors)

 MSB Type (Micro
USB)

 USBC Type (USB
Type C)

 Inquire for custom
design

 For a comprehensive list of options, [click here](#)

Contact GlobTek for your specific requirements or custom solutions.

Delivering leading edge, innovative power solutions for more than **30** years....

Model:GTM-43001130505

October 3, 2022

Approvals

Logo	
------	--